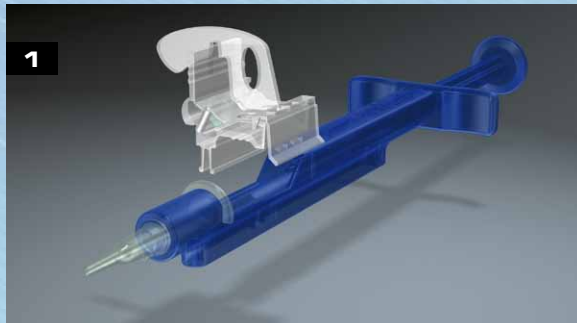


**BLUEMIXS™ 180 injector  
for preloaded MICS IOLs**

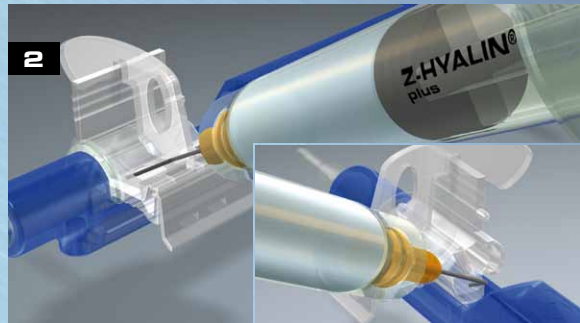
**... for an easy implantation of ZEISS MICS IOLs**



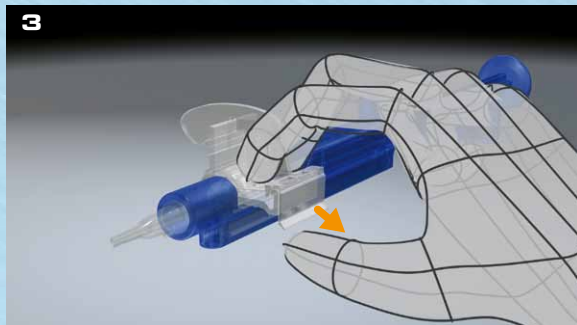
# BLUEMIXS™ 180 protocol of use



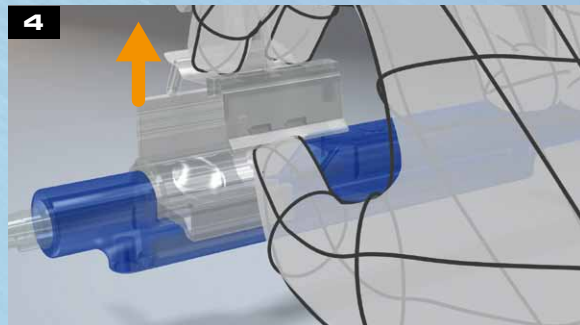
1  
Insert the loading chamber, containing the lens, into the injector until it locks into position.



2  
Insert the cannula of the OVD syringe through the forward opening in the lens holder and into the tunnel of the injector tip. Fill the tunnel up to the end of the blue injector body. Apply a small amount of OVD to the rear opening of the loading chamber behind the lens.\*



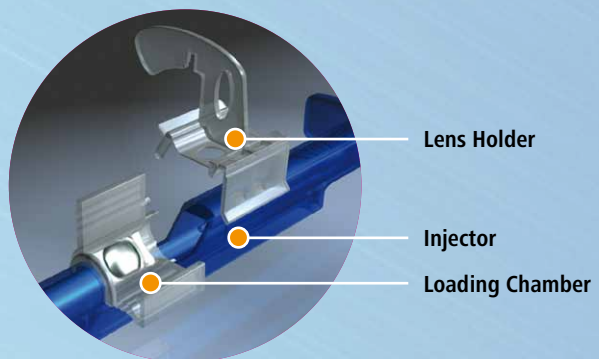
3  
Grasp the lens holder with two fingers on the top surface and your thumb underneath.



4  
Release the clip with your thumb by gently pressing up and lift the lens holder straight up.



5  
Close the loading chamber until it locks closed. The lens is now securely loaded and ready for injection.



Lens Holder

Injector

Loading Chamber

\*Carl Zeiss Meditec recommends the use of ZEISS OVDs.

**Carl Zeiss Meditec SAS**  
La Rochelle / France  
Phone: +33 (0) 5 46 44 85 50  
czmlr.contact@meditec.zeiss.com  
www.meditec.zeiss.com/iol

**\*Acri.Tec GmbH**  
A Carl Zeiss Meditec Company  
Hennigsdorf / Germany  
Phone: +49 (0) 3302-202 6000

I/DO2074 01/11 GB

BLUEMIXS™ is a trademark of Carl Zeiss Meditec. Z-HYALIN® plus is a registered trademark of Carl Zeiss Meditec. The contents of the brochure may differ from the current status of approval of the product in your country. Please contact our regional representative for more information. Subject to change in design and scope of delivery and as a result of ongoing technical development. Printed on elemental chlorine-free bleached paper. © 2011 by Carl Zeiss Meditec AG. All copyrights reserved.

